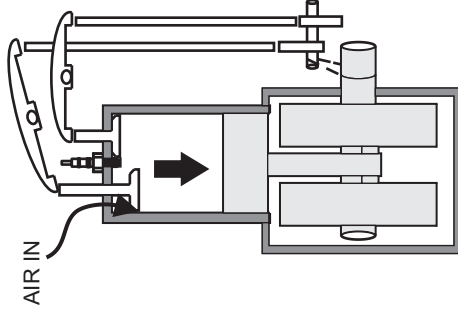
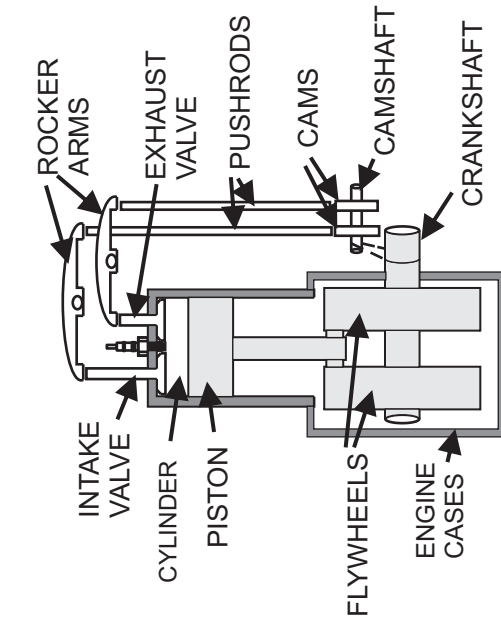


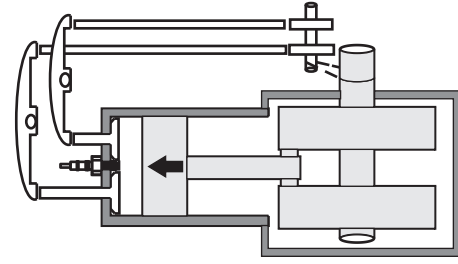


4-STROKE MOTORCYCLE MOTOR:



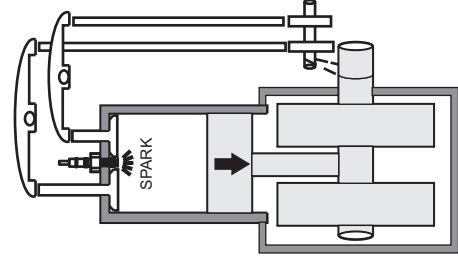
INTAKE

CAM OPENS INTAKE VALVE VIA PUSHROD/ROCKER ASSEMBLY. PISTON MOVES DOWN PULLING AIR INTO CYLINDER. FUEL IS INJECTED DURING INTAKE STROKE.



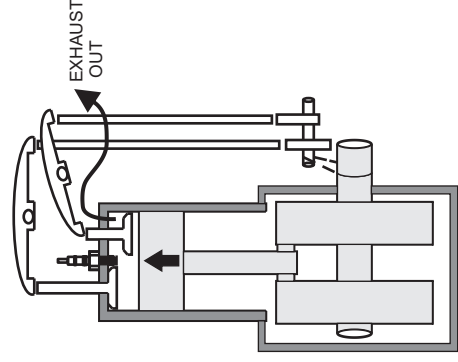
COMPRESSION

PISTON MOVES UP, COMPRESSING THE AIR/FUEL MIXTURE. VALVES REMAIN CLOSED



POWER

SPARK IS INTRODUCED TO THE CYLINDER, INITIATING COMBUSTION. RAPID EXPANSION OF GASES MOVES THE PISTON DOWN. THIS LINEAR MOTION IS CONVERTED TO ROTARY MOTION AND POWER IS TRANSFERRED TO THE CRANKSHAFT. VALVES REMAIN CLOSED.



EXHAUST

CAM OPENS EXHAUST VALVE VIA PUSHROD/ROCKER ASSEMBLY. PISTON MOVES UP EXPELLING EXHAUST GASES AND PREPARING IT FOR THE NEXT INTAKE STROKE.